

COUNTINUS ZOOM STEREO TRINOCULAR RESEARCH MICROSCOPE

MODEL No- SZ68



Zoom Stereo Microscope, Parallel Light, 0.63x~8x,1:12.5, B2 Track Stand, Bottom Light Mirror 360° Rotatable, Upper Light 5W LED

- Parallel Light Zoom Stereo Microscope 0.63x~8x Zoom Lens, Large Zoom Ratio 1:12.5
- 5-45° Titable Trinocular Inclination Adjustable For Easy Use
- PL10x/23mm High Eye-Point Wide Field Plan Eyepiece, Diopter Adjustable
- Upper/Bottom/Oblique/Coaxial Illumination, Polarizer & Analyzer Optional

Zoom Knob Can Switch Between With/Without Click Stop



LABMICRO: SZ68-B1
Zoom Stereo Microscope, Parallel Light,
0.63x~8x, 1:12.5,
B1 Track Stand, Without Bottom Light,
Upper LED Ring Light



LABMICRO: SZ68-B2
Zoom Stereo Microscope, Parallel Light,
0.63x~8x, 1:12.5,
B2 Track Stand, Bottom Light Mirror
360° Rotatable, Upper Light 5W LED
External Power Box + Single Optical
Fiber 500mm



LABMICRO: SZ68-B10
Zoom Stereo Microscope, Parallel Light,
0.63x~8x, 1:12.5,
B10 Track Stand, Bottom Light 5W LED Color
Temperature Adjustable, Upper LED Ring
Light



5~45° Tilting Trinocular Head & PL10x/23mm Eyepiece



Head & Eyepiece

5~45° Tilting trinocular Head, Whether Standing or Sitting, fully meet Your Operating Posture
 High eye-Point Wide Field Plan Eyepiece, Dioptre Adjustable, With A Larger Field of View Than
 Traditional Eyepieces, A Wider and Clearer Image Can Be obtained.



Apochromatic Objective

Apochromatic Design Significantly Improves the Lens Performance of Colour Rendition.

Correcting The Axial Chromatic Aberration of Red/green/blue/purple, And Converge Them On A Focal Plane, The Objective Is Able to Present the Real Colour of The Samples.

Zoom Ratio 1:12.5

Has Large Zoom Ratio from 0.63x To 8x, With Click Stop for Every Main Time,
 Which Can Be Manually Unbind for Zoom Magnifying Smoothly

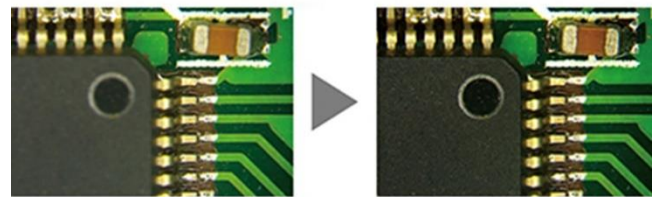
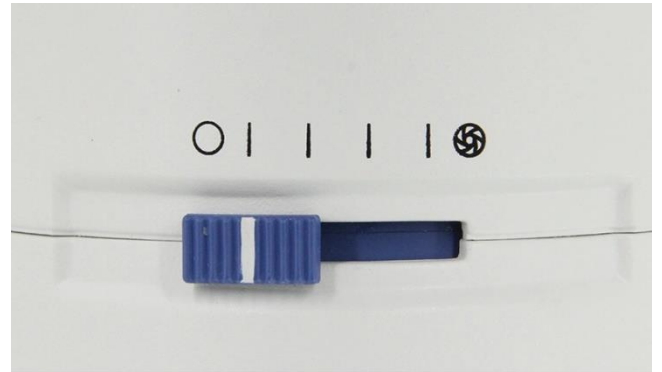
Apochromatic Objective, Zoom Ratio 1:12.5



Switch Between Click / Click Stop

Click Mode, the zoom knob will click at each integer magnification like 1x, 2x, 3x..., for user to know which magnification is under view easily.

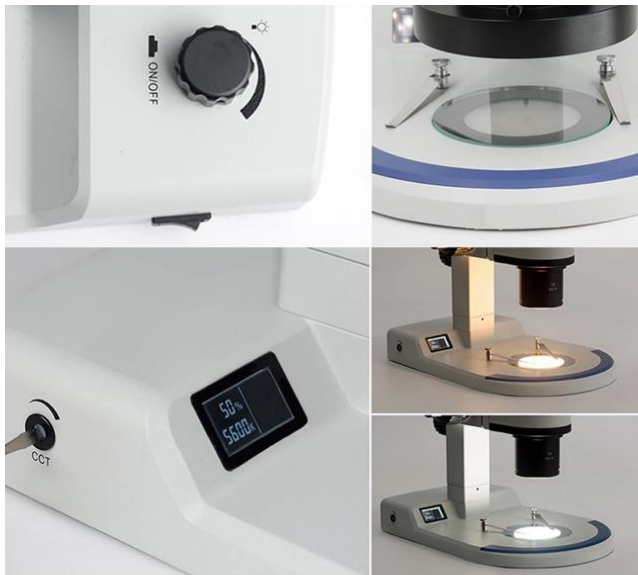
Switch Between Click / Click Stop



Aperture Diaphragm Adjustment

Aperture Diaphragm Adjustment

Shift The Aperture Diaphragm in Front to Adjust Depth Of Field For High-quality Image



Aperture Diaphragm Adjustment

Humanized Light Intensity

Rotate The Dimmer to Adjust Light Intensity, The Detailed Percent of Brightness

Will Be Displayed from The Lcd on The Base. It Is Helpful to Record Data of The Best Back Light

Optional Colour Temperature

Adjust The Colour Temperature to Create a Perfect Imaging Back ground For Different Samples in Different Work Environment



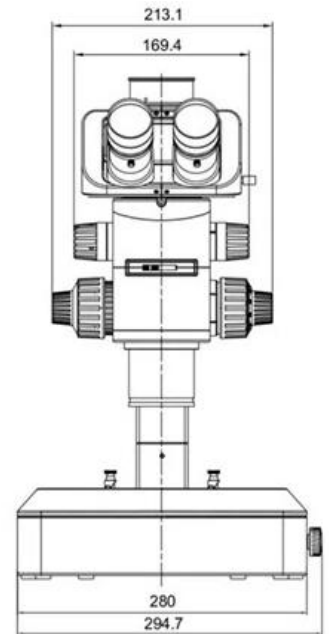
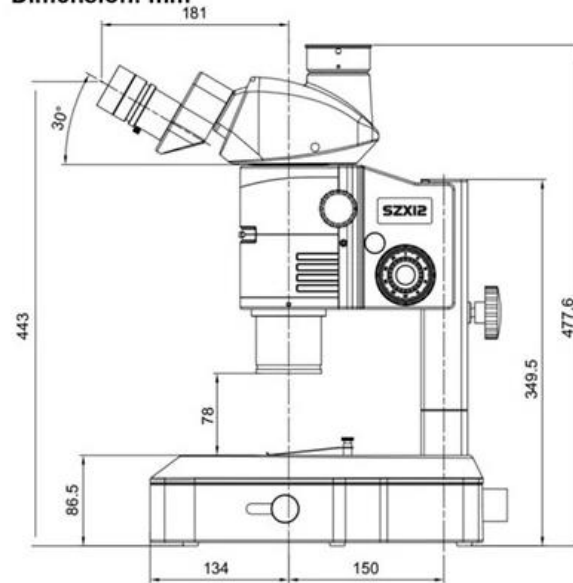
Mirror Adjustment Device

The Base Has a Built-in Mirror, And the Mirror Can Be Rotated 360 ° By Adjusting the Knob To Change The Illumination Range of the Light Passing Through the Mirror. The Reflector Is Two Sides, That Is, A Flat Mirror and A Matte Surface, Which Can Obtain Images with Different Effects to Meet the Various Needs of Users for Lighting Effects.



Mirror Adjustment Device & Power Box

Dimension: mm



Application Field

Support For Life Science Research, Meet The Demands Of Biological Experiment, Chemical Analysis And Cell Culture. Indispensable Testing Tool, Widely Applied For Surface Detection Of Pcb, Smt, Semiconductor Chip, Metal Material And Precision Components.

Demands Of Biological Experiment

Surface Detection Of Pcb, Smt, S.



TECHNICAL SPECIFICATIONS

| SZ68 Zoom Stereo Microscope, Zoom Ratio 1:12.5, Parallel Light | | SZ68-B1 | SZ68-B2 | SZ68-B10 |
|--|--|---------|---------|----------|
| Head | 5°~45° Tilting Trinocular Head, Light Splitting Switch E100:P0/E0:P100, Inter-Pupillary Distance 50~76mm, With Eyepiece Lock | ● | ● | ● |
| | 30° Inclined Trinocular Head, Light Splitting Fixed E50:P50, Inter-Pupillary Distance 50~76mm, With Eyepiece Lock | | | |
| Eyepiece | PL10x/22mm High Eye-Point Wide Field Plan Eyepiece, Diopter Adjustable | ● | ● | ● |
| | PL15x/16mm High Eye-Point Wide Field Plan Eyepiece, Diopter Adjustable | ○ | ○ | ○ |
| | PL20x/12.5mm High Eye-Point Wide Field Plan Eyepiece, Diopter Adjustable | ○ | ○ | ○ |
| Lens | Zoom Lens 0.63x~8x, Zoom Ratio 1:12.5, Built-in Aperture Diaphragm Adjustable, Main Scales On Zoom Knob 0.63x, 0.8x, 1.0x, 1.25x, 1.6x, 2.0x, 2.5x, 3.2x, 4x, 5x, 6.3x, 8x, Switch Between with/Without Click Stop | ● | ● | ● |
| Auxiliary Objective | 0.5x Main Objective APO, Working Distance 70.5mm | ○ | ○ | ○ |
| | 1.0x Main Objective APO, Working Distance 78.0mm | ● | ● | ● |
| | 1.5x Main Objective APO, Working Distance 31.1mm | ○ | ○ | ○ |
| | 2.0x Main Objective APO, Working Distance 20.0mm | ○ | ○ | ○ |
| Nosepiece | Double Nosepiece | ○ | ○ | ○ |
| Frame | Coaxial Fine & Coarse Focusing Mechanism, Integrated Focus Holder and Stand, Focusing Range 50mm, Fine Focusing Precision 0.002mm | ● | ● | ● |
| Base & Bottom Light Source | (B1) Plan Base Without Illumination, With Black/White Plate Dia.100mm | ● | - | - |
| | (B2) Plan Base With Bottom Illumination Built-in Mirror 360° Rotatable + Position Adjustable Use with Oblique Illumination 5W LED | - | ● | - |
| | Forearm Holder (Matching Use with B2 Base) | | ○ | |
| | (B10) Ultra-thin Base, With Bottom Illumination 5W LED, Color Temperature 3200~5600K & Light Intensity Adjustable With Digital Readout LCD Screen | - | - | ● |
| Upper Light Source | Upper Illumination: Attachable LED Ring Light (200 Bulbs), Wide Voltage 100-220V | ● | | ● |
| | Oblique Illumination: External 5W LED Module, Colour Temperature 5000- 5500K White Light, Wide Voltage 100-220V, Output 12V5W, Power Supply Box Size 270×100×130mm, With Single Optical Fiber 500mm (Matching Use with B2 Base) | - | ● | - |
| | Coaxial Illumination: 1.5x, with 1/4 λ, 360° Rotatable, 20W LED, Intensity Adjustable, With Power Supply Box, With Soft Double Optical Fiber 1000mm | | | |
| | Polarizer Fixed On Bottom Light Source (For Transmit | - | ○ | ○ |

| | | | | |
|------------|---|---|---|---|
| Polarizing | Light) | | | |
| | Analyser Attached Under Lens, 360° Rotatable (For Transmit Light) | - | ○ | ○ |
| Adapter | 0.35xC-mount Adapter, Focus Adjustable | ○ | ○ | ○ |
| | 0.5xC-mount Adapter, Focus Adjustable | ○ | ○ | ○ |
| | 0.65xC-mount Adapter, Focus Adjustable | ○ | ○ | ○ |
| | 1.0xC-mount Adapter, Focus Adjustable | ○ | ○ | ○ |
| Allen key | M4 Allen key (3mm) | ● | ● | ● |

